

VLR120

187-0010

1/3

we-ef



Description

IP67, Class I, IK09. Marine-grade, all aluminium construction. 5CE superior corrosion protection including PCS hardware. Silicone rubber gasket. PMMA main lens. Linear PMMA LED lens. 1.2 m connecting cable, UV stabilized, PVC free. Luminaire is factory sealed and does not need to be opened during installation and can be tilted up to 180°. Integral LED driver with DALI interface. Optional 2200 K version available. To be specified at time of ordering. Separate LED driver on request.

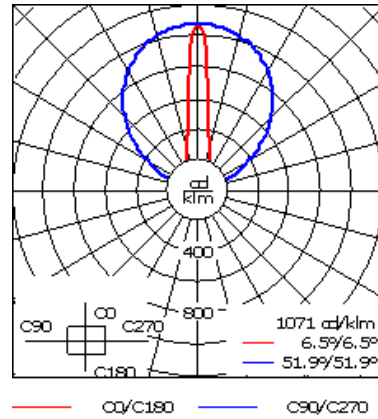
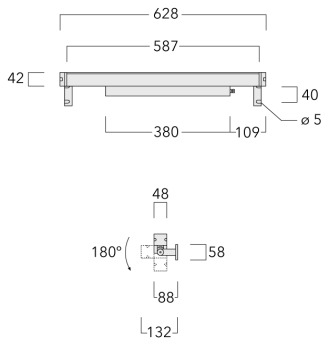
Beam Type	symmetric linear, very narrow beam [LEE]
Light Source	LED-32/20W / 225 mA - 3000 K
CRI	80
Gear Type	EC
Nominal Luminous Flux (lm)	
LED Lumens	90 lm
LEDs	32
Total Lumens	2880 lm
Tj	85 °C
Rated Luminous Flux (lm)	
LED Lumens	75.2 lm
Total Lumens	2405.9 lm
Ta	25 °C
Rated Input Power	23.5 W

VLR120

187-0010

we-ef

2/3



Material Specification

Body:	Marine-grade, all-aluminium construction
Weight (kg):	2.45
Lens:	PMMA
Colours:	<div style="display: flex; align-items: center;"> <div style="width: 20px; height: 10px; background-color: black; margin-right: 5px;"></div> <div style="font-size: 0.8em;">RAL9004 Signal black</div> </div> <div style="display: flex; align-items: center; margin-top: 2px;"> <div style="width: 20px; height: 10px; background-color: #cccccc; margin-right: 5px;"></div> <div style="font-size: 0.8em;">RAL9006 White aluminium</div> </div> <div style="display: flex; align-items: center; margin-top: 2px;"> <div style="width: 20px; height: 10px; background-color: #808080; margin-right: 5px;"></div> <div style="font-size: 0.8em;">RAL9007 Grey aluminium</div> </div> <div style="display: flex; align-items: center; margin-top: 2px;"> <div style="width: 20px; height: 10px; background-color: #333333; margin-right: 5px;"></div> <div style="font-size: 0.8em;">RAL7016 Anthracite grey</div> </div> <div style="display: flex; align-items: center; margin-top: 2px;"> <div style="width: 20px; height: 10px; background-color: #e0e0e0; margin-right: 5px;"></div> <div style="font-size: 0.8em;">RAL9016 Traffic white</div> </div>
Gasket:	Silicone rubber gasket
Fasteners:	PCS Polymer Coated Stainless Steel Hardware
Ingress protection:	IP67
Impact protection:	IK09
Corrosion protection:	5CE

Electrical Specification

Power supply:	220-240V / 50-60 Hz
Driver / Ballast:	Integral LED driver with DALI Interface
Cable:	1.2 m of flexible PVC free cable

VLR120

187-0010

3/3

Lifetime

Ta=25° L90B10 > 90000h

LED and LED driver can be exchanged by qualified personnel.

